

Ralco s.r.l.



R104/A

Square-field single-layer x-ray collimator, lightweight and compact, ideally suited for installation on mobile x-ray equipment.

This collimator is designed for installation on fixed or rotating anode X-ray tubes (with RO 278) that, when mounted, conform to *EN 60601-1-3 par 29.202.3*. It is intended for clinical skeletal investigations and ER applications.

The x-ray field is defined by 2 pairs of lead-lined shutters located near the exit window of the x-ray beam from the collimator and a cone (near the focus) that limits the x-ray beam to the larger field size.

The 2 pairs of shutters move perpendicularly within the x-ray field; shutter movements are manual, controlled by two knobs on the collimator front panel.

CHARACTERISTICS

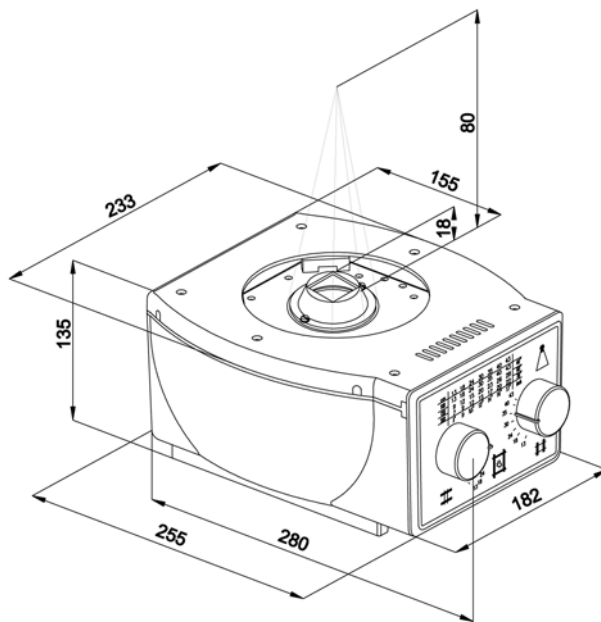
- Mounting plane: 80mm (3.14")
- Mirror adjustment.
- High luminosity provided by a halogen lamp or, on request, white power Led (RO333).
- Timer limiting projection lamp exposure time to 30 seconds thus extending lamp life by preventing overheating.
- Supply: 24V DC/AC - 50/60 Hz - 6.5A or, on request, 12V DC/AC - 50/60 Hz - 9A
- Radiation shielding: 125 kVp - 4 mA
- Minimum inherent filtration 2 mm aluminium equivalent (1mm on request).
- Campo variabile da Min: 00 x 00 cm a Max: 43 x 43 cm ad una DFF di 100 cm.
- Minimum edge contrast: >4:1

OPTIONAL ITEMS

- RO 001/A - Fixed flange, thickness 20 mm
- RO 002 - Spacers, thickness 1,5 mm
- RO 051 - Rotating flange, thickness 18 mm
- RO 240 - Focus/skin spacer.
- RO 241 - Mirror, 0,8mm for filtration equivalent 1mm Al
- RO 278 - Extrafocal shutters
- RO 333 - White Power Led.

CUSTOMIZING:

Customized versions of this products are available to meet particular customer requirements.



Weight: 4,2 Kg

RALCO srl

Via dei Tigli 13/G
20853 Biassono (MB) - Italia
Tel. +39 0392497925
Fax. +39 0392497799

www.ralco.it - email: ralco@ralco.it