

Ralco s.r.l.



R104

Square-field, single-layer x-ray collimator. This collimator is light weight and compact, ideally suited for installation on mobile X-ray equipment.

This X-ray beam Limiting Device, designed and manufactured for installation on fixed anode X-ray tubes that conform to EN 60601-1-3 par 29.202.3, is intended for clinical skeletal investigations and ER applications.

The x-ray field is defined by 2 pairs of lead-lined shutters located near the exit window of the x-ray beam from the collimator and a cone (near the focus) that limits the x-ray beam to the larger field size.

The 2 pairs of shutters move perpendicularly within the x-ray field; shutter movements are manual, controlled by two knobs on the collimator front panel.

CHARACTERISTICS

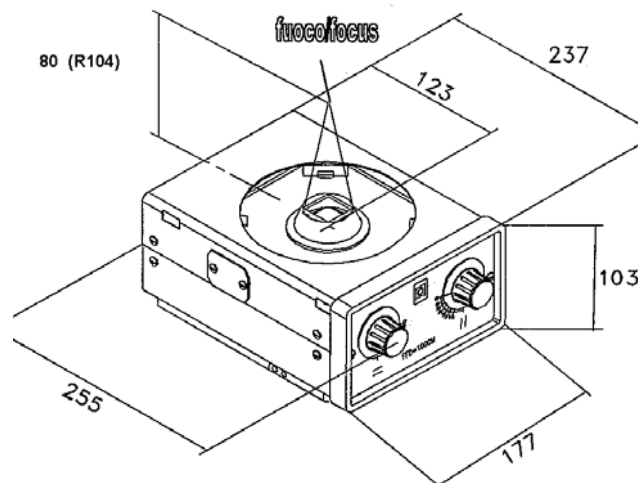
- Mounting plane: 80mm (3.14")
- Adjustment of mirror angulation,
- Lampada alogena ad alta luminosità oppure, su richiesta, Led di potenza.
- Timer limiting projection lamp exposure time to 30 seconds thus extending lamp life and preventing overheating.
- Supply: 24 V DC/AC (12V DC/AC on request).
- Radiation shielding: 125 kVp - 4 A.
- Minimum inherent filtration 2 mm aluminium equivalent (1mm on request).
- Continuous film coverage from Min: 00 x 00 cm to Max: 43 x 43 cm at 100 cm FFD (SID).
- Edge contrast ratio: >3.1

OPTIONAL ITEMS

- RO 001/A - Fixed flange, 20mm thickness
- RO 002 - Spacer, 1,5mm thickness
- RO 051 - Rotating flange, 18 mm thickness
- RO 079 - Retractable tape
- RO 083 - Mirror, 0,8mm thickness, internal filtration 1 mm Al. equiv.

CUSTOMIZING:

Customized versions of this products are available to meet particular customer requirements.



Weight: 4,6 kg

RALCO srl
Via dei Tigli 13/G
20853 Biassono (MB) - Italia
Tel. +39 0392497925
Fax.+39 0392497799
www.ralco.it - email: ralco@ralco.it