

Ralco s.r.l.



CHARACTERISTICS

- Mounting plane at 80 mm (3.14") from the focus.
- Adjustment of mirror angulation.
- High luminosity provided by a white power Led.
- Timer limiting Led exposure time to 30 seconds thus extending light source life by preventing overheating.
- Supply: 12-45 VDC or 20-30 VDC - 50/60Hz - 30 VA
- Radiation shielding: 125 kVp - 4mA, on request 150 kVp - 4 mA.
- Minimum inherent filtration 2 mm aluminium equivalent.
- Continuous film coverage from min. 00 x 00 cm to max. 43 x 43 cm at 100cm FFD (SID).
- Edge Contrast ratio: >4:1
- Plastic flange allowing collimator rotation.

OPTIONAL ITEMS

- RO 002 - Spacers, iron, 1.5mm thickness for mounting flange.
- RO 240 - Focus-skin spacer
- RO 241 - Glass mirror, 0,8mm thickness internal filtration 1mm Al equivalent
- RO 242 - Laser for collimator/Potter Bucky alignment
- RO 242/2- Additional laser for visual FFD/SID
- RO 250 - Radiation shielding up to 150 kVp - 4mA
- RO 261 - CCSAUS certification - US extension
- RO 262 - DHHS certification - US extension
- RO 336 - Alluminium accessory rails with support.
- RO 344 - Spacer guides, plastic for DAP assembly
- RO 369 - Rotating flange, plastic, 20 mm thickness; rotation +/- 120 °
- RO 370 - Rotating flange, plastic, 20 mm thickness; rotation +/- 90 °

CUSTOMIZING:

Customized versions of this product are available to meet particular customer requirements.

R108 F

Square-field, multi-layer x-ray collimator. This lightweight and compact device is ideally suited for installation on mobile or fixed x-ray equipment.

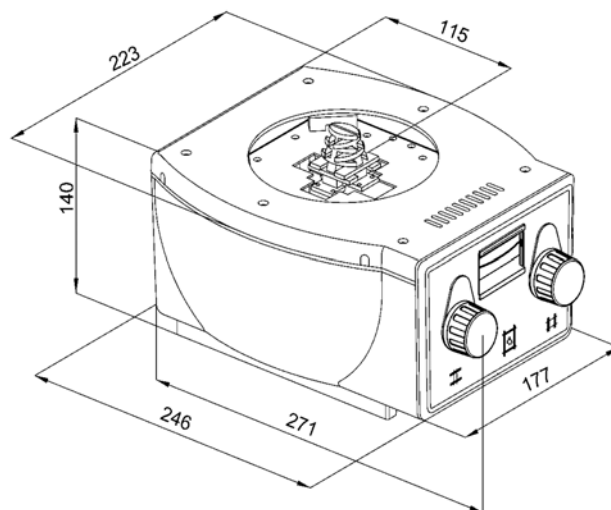
This collimator is designed for installation on fixed or rotating anode X-ray tubes that, when mounted, conform to *EN 60601-1-3 par 29.202.3*. It is intended for clinical skeletal investigations and ER applications.

The x-ray field is defined by six pairs of shutters: two pairs are lead-lined and four pairs are in bronze. The shutters move perpendicularly within the x-ray field.

The four bronze shutters are located near the focus: two pairs are mounted near the entrance window and two pairs are mounted near x-ray focus. The two lead-lined pairs, mounted at the collimator x-ray beam exit window, serve to accurately define the x-ray field edges.

Shutter movements are manual and controlled by two knobs on the collimator front panel.

Extra variable filtration is added to the minimum collimator filtration in a form of an aluminium disk, 1 mm thickness, controlled manually from the front panel.



Weight: 5,9 kg

RALCO srl

Via dei Tigli 13/G
20853 Biassono (MB) - Italia
Tel. +39 0392497925
Fax. +39 0392497799

www.ralco.it - email: ralco@ralco.it