

Ralco s.r.l.



CHARACTERISTICS

- Mounting plane at 80 mm (3.14") from the focus.
- External adjustment of mirror angulation.
- High luminosity provided by a quartz iodide lamp. On request luminosity may be provided by a white power Led RO333.
- Timer limiting projection lamp exposure time to 30 seconds thus extending lamp life by preventing overheating.
- Supply: 24V AC/ DC - 50/60 Hz - 6.5A or 12V AC/DC - 50/60 Hz - 9A
- Radiation shielding: 150 kVp
- Minimum inherent filtration 2 mm aluminium equivalent (1mm on request).
- Square field is variable from min. min. 00 x 00 cm to max. max. 48 x 48 cm at an FFD/SID of 100cm.
- Edge contrast ratio: >4:1

OPTIONAL ITEMS

- RO 002 - Spacers, iron, 1.5mm thickness for mounting flange.
- RO 068 - Focus-skin spacer
- RO 099 - Centering device, pote Bucky (BL)
- RO 108 - Glass mirror, 0,8mm thickness internal filtration 1mm Al equivalent
- RO 233 - Single Laser for Potter Bucky centering
- RO 253 - Spacer guides, plastic for DAP assembly
- RO 261 - CCSAUS certification - US extension
- RO 262 - DHHS certification - US extension
- RO 333 - White Power Led

CUSTOMIZING:

Customized versions of this product are available to meet particular customer requirements.

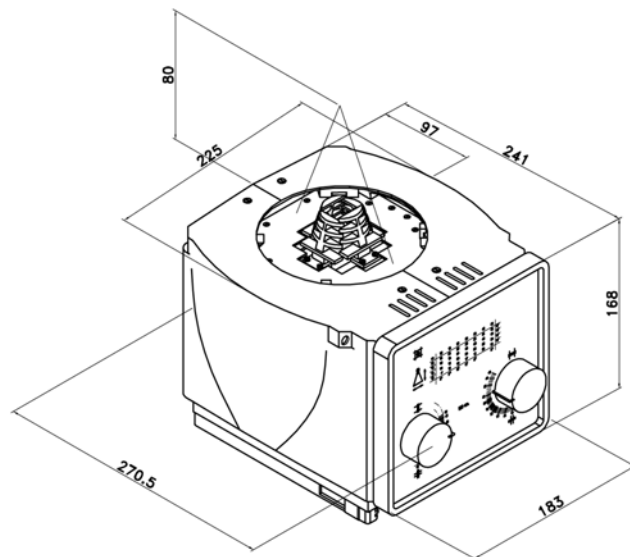
R221/A

Square-field, multi-layer x-ray collimator. This unit is lightweight, compact and ideal for installation on mobile and stationary x-ray equipment.

The square field X-ray beam Limiting Device is designed for installation on fixed or rotating anode X-ray tubes that, when mounted, conform to *EN 60601-1-3 par 29.202.3*. It is intended for clinical skeletal investigations and ER applications.

The x-ray field is defined by six pairs of shutters, four of which are lead-lined. The six pairs of shutters move perpendicularly within the x-ray field. Two pairs of bronze shutters are located near the focus, two are located near the entrance window and two are located near the exit window of the x-ray beam from the collimator. The latter shutters serve to accurately define the x-ray field edges.

Shutter movements are manual, controlled by two knobs on the collimator front panel.



Peso: 7,7 Kg

RALCO srl
Via dei Tigli 13/G
20853 Biassono (MB) - Italia
Tel. +39 0392497925
Fax. +39 0392497799
www.ralco.it - email: ralco@ralco.it