

Ralco s.r.l.



R302F/A

Square-field, multi-layer x-ray collimator suitable for installation on stationary x-ray equipment.

This collimator is designed for installation on fixed or rotating anode X-ray tubes that, when mounted, conform to *EN 60601-1-3 par 29.202.3*. It is intended for clinical skeletal and thoracic investigations.

The x-ray field is defined by six pairs of shutters, four of which are lead-lined. The six pairs of shutters move perpendicularly within the x-ray field. Two pairs of bronze shutters are located near the focus, two are located near the entrance window and two are located near the exit window of the x-ray beam from the collimator. The latter shutters serve to accurately define the x-ray field edges.

Shutter movements are manually controlled by two knobs on the collimator front panel.

Additional variable filtration in the form of an aluminium disk (thickness 1 mm) controlled manually from the front panel. The disk features a hole for the passage of x-rays and accommodates the following three filters:

0.1 mm copper in addition to the 1 mm Al.

0.2 mm copper in addition to the 1 mm Al.

1 mm aluminium in addition to the 1 mm Al support.

The mechanical stop prevents filter from being accidentally change.

CHARACTERISTICS

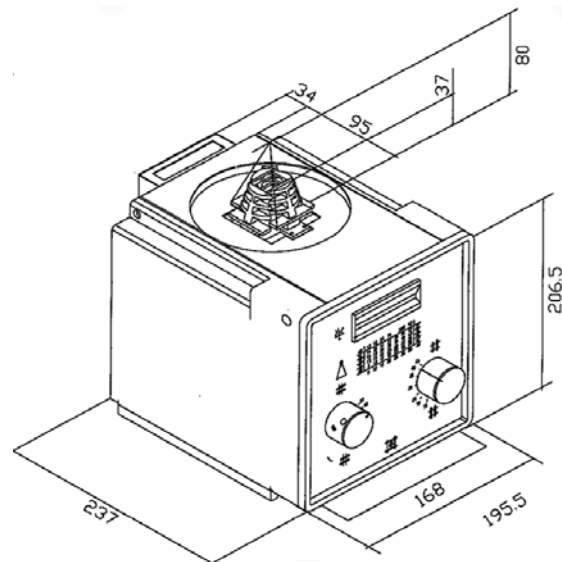
- Mounting plane: 80mm (3.14") from the focus.
- External adjustment of mirror angulation.
- High luminosity provided by a quartz iodide lamp. On request luminosity may be provided by a white power Led (RO333).
- Timer limiting projection lamp exposure time to 30 seconds thus extending lamp life by preventing overheating.
- Supply: 24V DC - 50/60 Hz - 6.5A.
- Radiation shielding: 150 kVp - 4 mA
- Minimum inherent filtration 2 mm aluminium equivalent, 1mm on request.
- Square field is variable from min. min. 00 x 00 cm to max. max. 48 x 48 cm at an FFD/SID of 100 cm.
- Edge contrast ratio: >4:1

OPTIONAL ITEMS

- RO 001 - Mounting flange, leaded, fixed, thickness 20 mm
- RO 002 - Spacers, iron, 1.5 mm thickness, for mounting flange
- RO 012/A - Tape measure, retractable
- RO 023/A - Spacers, x-ray beam/patient
- RO 041 - Mirror, mylar, inh. Filtr 0,3 mm Al equival.
- RO 077 - Potter Bucky light centering device (BL)
- RO 082 - Mirror, 0,8 mm int. Filtr. 1mm
- RO 153/1 - Laser, Potter Bucky centering with power supply
- RO 161 - Spacers, guide, for ionisatio chamber, pair.
- RO 261 - CCSAUS certification - US extension
- RO 262 - DHHS certification - US extension

CUSTOMIZING:

Customized versions of this product are available to meet particular customer requirements.



Peso: 9,4 kg

RALCO srl
Via dei Tigli 13/G
20853 Biassono (MB) - Italia

Tel. +39 0392497925

Fax. +39 0392497799

www.ralco.it - email: ralco@ralco.it