

R302M/A

SQUARE-FIELD X-RAY COLLIMATOR SUITABLE FOR INSTALLATION ON STATIONARY X-RAY EQUIPMENT. WITHOUT LIGHT FIELD SIMULATING THE X-RAY FIELD.

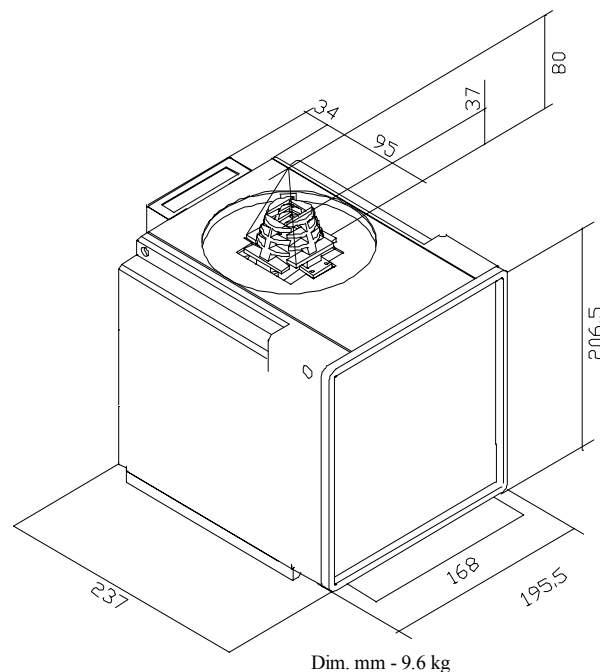
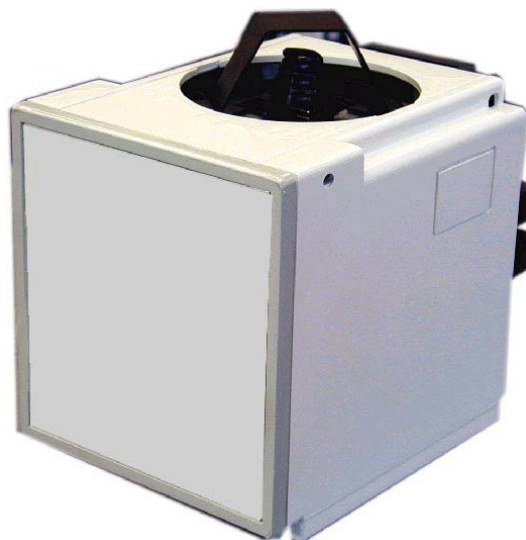
The x-ray field is defined by 6 pairs of shutters, four of which are lead-lined. The six pairs of shutter move perpendicularly within the x-ray field.

Two pairs of bronze shutters are located near the focus, two are located near the entrance window and two are located near the exit window of the x-ray beam from the collimator. The latter shutters serve to accurately define the x-ray field edges. Shutter movements are motorised, shutters positioning are adjusted remotely.

The square-field X-ray beam Limiting Device is designed for installation on rotating or fixed anode X-ray tubes (EN 60601-1-3 par 29.202.3); motorised controls provide for the adjustment of the X-ray field dimension to the size of the image receptor or to that of the anatomical area of interest.

TECHNICAL FEATURES:

- Radiation shielding: 150 kVp - 4mA
- Minimum inherent filtration 2 mm aluminium equivalent (1mm on request).
- Continuous film coverage from Min: 00 x 00 cm to Max: 48 x 48 cm at 100 cm FFD (SID).



OPTIONAL ITEMS:

- RO 001 - Mounting flange, leaded, fixed, thickness 20 mm.
- RO 002 - Spacers, iron, 1.5 mm thickness, for mounting flange.
- RO 011 - Device indicating shutters closed.

Ralco s.r.l.

RALCO SRL
VIA DEI TIGLI 13/G
20046 BIASSONO ITALIA
TEL. +39 0392497925
FAX. +39 0392497799
www.ralco.it email: ralco@ralco.it