

# R651AMP

**RADIOLOGICAL COLLIMATOR DESIGNED TO OPERATE ON A "C" ARM WITH AN IMAGE INTENSIFIER. ITS SMALL DIMENSIONS FACILITATE X-RAY TUBE POSITIONING.**

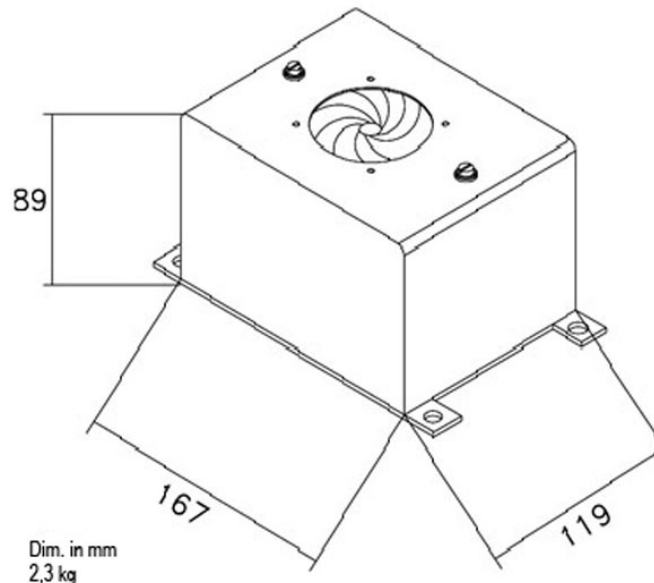
The round and elliptical fields are defined, the former by 8 lead shutters located near the exit window and the latter by a pair of rectangular lead shutters near the collimator entrance window which combine with the round shutters to provide an ellipse.

Movements of the rectangular shutters are independent and DC motor controlled; the shutters open, close and rotate 360°.

During rotation at FFD 1m, the elliptical field size will remain constant with a tolerance of  $\pm 10$ mm.

## TECHNICAL FEATURES:

- Dimension of fields at FFD 100 cm (39.4") – with the collimator mounted at 80 cm (3.14") from the x-ray focus
- **Elliptical field:** from 0 to 40 cm (16"),  $\pm 1\%$  FFD.
- **Round field:** from 5 (1.96") to 40 cm (16"),  $\pm 1\%$  FFD.
- Potentiometer to control the shutters positioning – only for round field.
- 125 kVp - 4mA radiation shielding



- Minimum inherent filtration: 0 mm Al. equivalent

## OPTIONAL ITEMS:

- RO 104 - Spacers 1,5mm thick
- RO 235 - Filter, AL, fixed type 0.5 mm thickness,
- RO 236 - Filter, AL. fixed type 1 mm.
- RO 247 - Secondary collimator for 12" fields.
- RO 248 - Secondary collimator for 14" fields.
- RO 249 - Copper cardio shutter, 1 mm thickness.

*Ralco s.r.l.*

RALCO SRL  
VIA DEI TIGLI 13/G  
20046 BIASSONO ITALIA  
TEL. +39 0392497925  
FAX. +39 0392497799  
[www.ralco.it](http://www.ralco.it) email: [ralco@ralco.it](mailto:ralco@ralco.it)