

Ralco s.r.l.



### CHARACTERISTICS

- Mounting plane: 70mm.
- Adjustment of mirror angulation.
- Variable field size from 00x00 cm to 43 x 43 cm at 100 cm FFD/SID.
- Supply: 24V DC/AC -6.5A or, optionally, 12 V DC/AC 9A - 50/60 Hz.
- High luminosity halogen lamp.
- Pushbutton activation of the lamp from the front panel.
- Timer limiting lamp ON time to 30s.
- Minimum edge contrast ratio: >3:1
- Radiation shielding: 125 kVp - 4mA
- Minimum inherent filtration 2mm Al equivalent (1mm on request).

### OPTIONAL ITEMS

- RO 002 - Spacers, 1,5mm
- RO 181 - Fixed mounting flange, 10 mm
- RO 198 - Focus/skin spacer
- RO 199 - Rotating Mounting flange , +/- 90°, 10mm, stop at 0°
- RO 195 - Rotating mounting flange, +/- 45°, 15mm without stop.
- RO 345 - Adaptor for rotating anode x-ray tube.
- RO 261 - CCSAUS Certification.

### CUSTOMIZING:

Customized versions of this products are available to meet particular customer requirements.

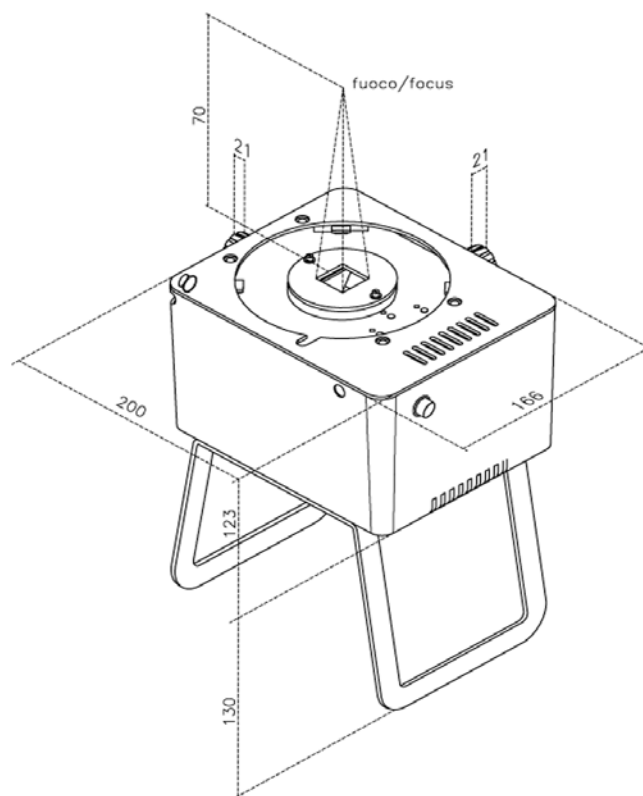
## R72

Square-field, single-layer x-ray collimator. This unit is lightweight, compact and is ideal for installation on mobile x-ray equipment.

This X-ray beam Limiting Device, designed and manufactured for installation on fixed or rotating anode X-ray tubes (with RO 345) that conform to **EN 60601-1-3 par 29.202.3**, is intended for clinical skeletal and articular investigations of all body areas.

The x-ray field is defined by 2 pairs of lead-lined shutters located near the exit window of the x-ray beam from the collimator and a lead-lined disc (near the focus) that limits the x-ray beam to the larger field size.

X-ray field size adjustment is manual with two knobs on the collimator housing.



Weight: 3.9 Kg

### RALCO srl

Via dei Tigli 13/G  
20853 Biassono (MB) - Italia  
Tel. +39 0392497925  
Fax. +39 0392497799  
www.ralco.it - email: ralco@ralco.it