

# Ralco

X-RAY COLLIMATORS



## Value, Quality and Experience



## R 10

**Single layer, square/rectangular field, automatic collimation system with independent shutter control intended for installation on dental fixed or rotating anode radiological equipment.**

**This device has been designed and manufactured for dental investigations.**

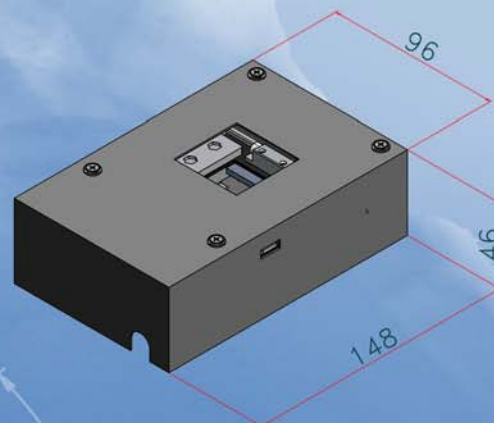
**This model includes the following standard features:**

- Maximum Radiation Leakage: 90 kVp - 4 mA
- Single Layer Square/Rectangular Field: 0x0 cm to 30x30 cm at 65 cm SID
- Minimum Inherent Filtration: 0.2 mm Al equivalent
- Laser Field Size Simulation
- Dimensions: 148x96x46 mm
- Weight: 1 Kg
- 4 Independent Lead Shutters
- CanBus Protocol
- Many Options for Personalization Available

# R 10

## TECHNICAL FEATURES

✓ Standard	● Optional	— Not Available	
Maximum Radiation Leakage	90 kVp - 4 mA	✓	
	150 kVp - 4 mA	—	
Field Type	Square Field	With Potentiometer	—
		Without Potentiometer	✓
	Round Field	—	
Additional Variable Filtration	Manual	—	
	Motorized	—	
Light Source	Halogen Lamp	—	
	LED	—	
	No Light	✓	
SID Measurement	Electronic	—	
	Retractable Tape Measure	—	
Image Receptor Alignment	Centering Light	—	
	Single Laser	✓	
	Double Laser	—	
Mounting of DAP Chamber	Internal	—	
	External	—	
Flange	Plastic	Free Rotation	—
		50°	—
		90°	—
		120°	—
	Metal	Fixed	✓
		Rotating (90° stop)	—
Minimum Inherent Filtration	0.2 mm Al equivalent	✓	
	1 mm Al equivalent	—	
	2 mm Al equivalent	—	
Patient Monitoring Camera	Yes	—	
	No	✓	
cCSAUs and DHHS Certification	Yes	—	
	No	✓	
Alignment to Focus	Manual Alignment with Metal Flange	—	
	Automatic Centering with Metal Flange	✓	
	Automatic Centering with Plastic Flange	—	
	Siemens Attachment	—	
Proximity Sensor	Yes	—	
	No	✓	
User Interface	CAN-Bus Interface	✓	
	CAN-Open Interface	—	



**Head Office**  
 via Dei Tigli 13G  
 20853 BIASSONO (MB)  
 ITALY  
 Tel. 0039 039 24 979 25  
 FAX 0039 039 24 977 99  
 Email: ralco@ralco.it  
 www.ralco.it  
 Skype: ralco\_s.r.l.

**American Office**  
 4970 Robert J. Mathews Pkwy #180  
 El Dorado Hills, CA 95762  
 USA  
 Tel. 001.916.990.5172  
 Email: info@ralcousa.com  
 www.ralcousa.com  
 Skype: ralcousa

**CUSTOM MODELS ON REQUEST**