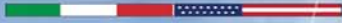


Ralco

X-RAY COLLIMATORS



Value, Quality and Experience



R 605 DLMP

Single layer, round and double elliptical field, motorized collimation system with potentiometer controlled iris displacement.

Compact design intended for installation in connection with an Image Intensifier mounted on mobile C-arm equipment.

This device has been designed and manufactured for skeletal and cardiovascular investigations.

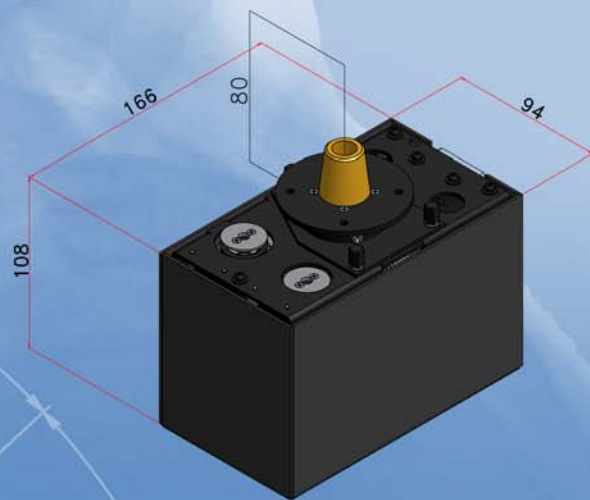
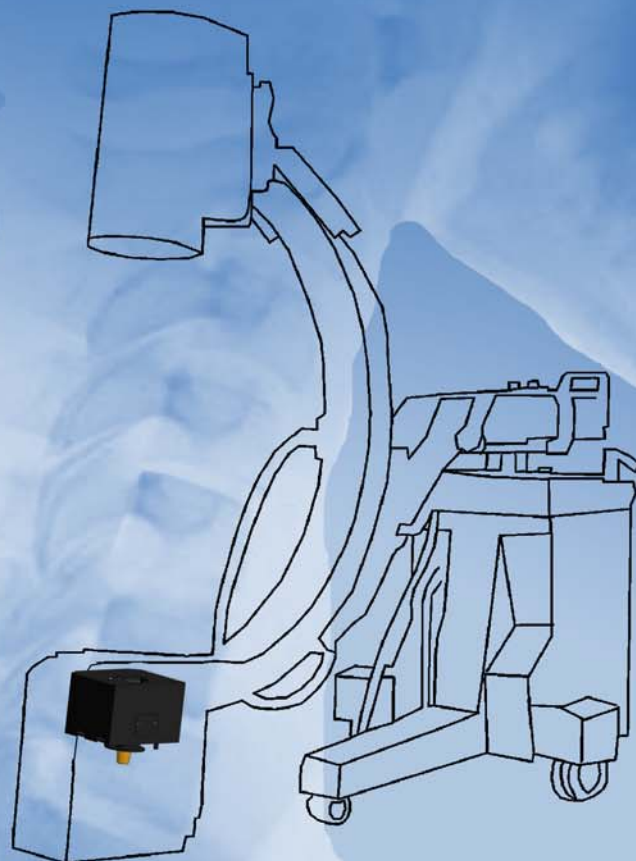
This model includes the following standard features:

- Maximum Radiation Leakage: 125 kVp - 4 mA
- Single Layer Round Field: 5 cm to 30 cm at 100 cm SID
- Minimum Inherent Filtration: 0 mm Al equivalent
- Filtration Shutters (on request)
- No Light Source
- Dimensions: 166x94x108 mm
- Weight: 2 Kg
- 8 Shutters
- Many Options for Personalization Available

R 605 DLMP

TECHNICAL FEATURES

✓ Standard	● Optional	— Not Available	
Maximum Radiation Leakage	125 kVp - 4 mA	✓	
	150 kVp - 4 mA	—	
Field Type	Round Field	With Potentiometer	—
		Without Potentiometer	✓
	Square Field	—	
Additional Filtration Shutters	0.5 mm Thickness	●(RO 066)	
	1 mm Thickness	●(RO 067)	
Light Source	Halogen Lamp	—	
	LED	—	
	No Light	✓	
Secondary Collimation	7" Diameter	●(RO 182)	
	9" Diameter	●(RO 183)	
	12" Diameter	✓	
Shutters	Pair of Rotating Lead Shutters	✓	
	Copper with Cardiac Contouring	●(RO 246)	
	Second Pair of Lead Shutters	—	
	Substitution of Lead with Copper	●(RO 265)	
Flange	Plastic	Free Rotation	—
		50°	—
		90°	—
	Metal	Fixed	✓
		Rotating (90° stop)	—
		Motorized Rotation	—
Minimum Inherent Filtration	0 mm Al equivalent	✓	
	1 mm Al equivalent	—	
	2 mm Al equivalent	—	
Patient Monitoring Camera	Yes	—	
	No	✓	
cCSAUs and DHHS Certification	Yes	—	
	No	✓	
Alignment to Focus	Manual Alignment with Metal Flange	✓	
	Automatic Centering with Metal Flange	—	
	Automatic Centering with Plastic Flange	—	
	Siemens Attachment	—	
User Interface	CAN-Bus Interface	—	
	CAN-Open Interface	—	
	Analog/Digital I/O Interface	—	



Head Office
 via Dei Tigli 13G
 20853 BIASSONO (MB)
 ITALY
 Tel. 0039 039 24 979 25
 FAX 0039 039 24 977 99
 Email: ralco@ralco.it
www.ralco.it
 Skype: ralco_s.r.l.

American Office
 4970 Robert J. Mathews Pkwy #180
 El Dorado Hills, CA 95762
 USA
 Tel. 001.916.990.5172
 Email: info@ralcousa.com
www.ralcousa.com
 Skype: ralcousa

CUSTOM MODELS ON REQUEST