

Ralco

X-RAY COLLIMATORS



Value, Quality and Experience



R 806 D

Single layer, square field and multilayer, round field, automatic collimation system intended for installation in connection with an Image Intensifier mounted on fixed C-arm equipment. This device has been designed and manufactured for cardiovascular investigations.

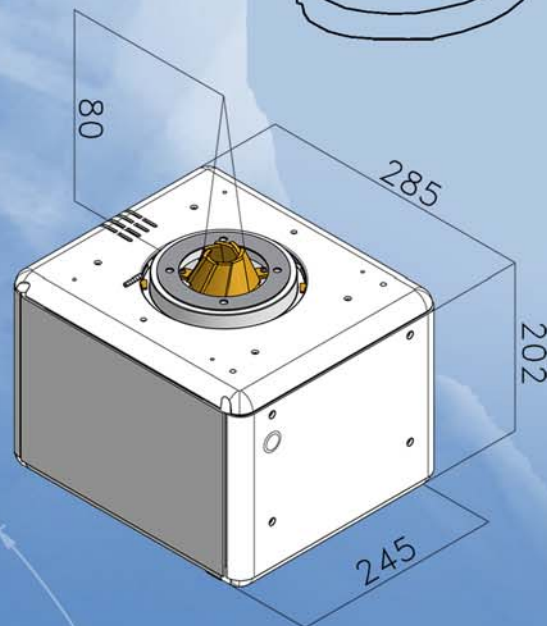
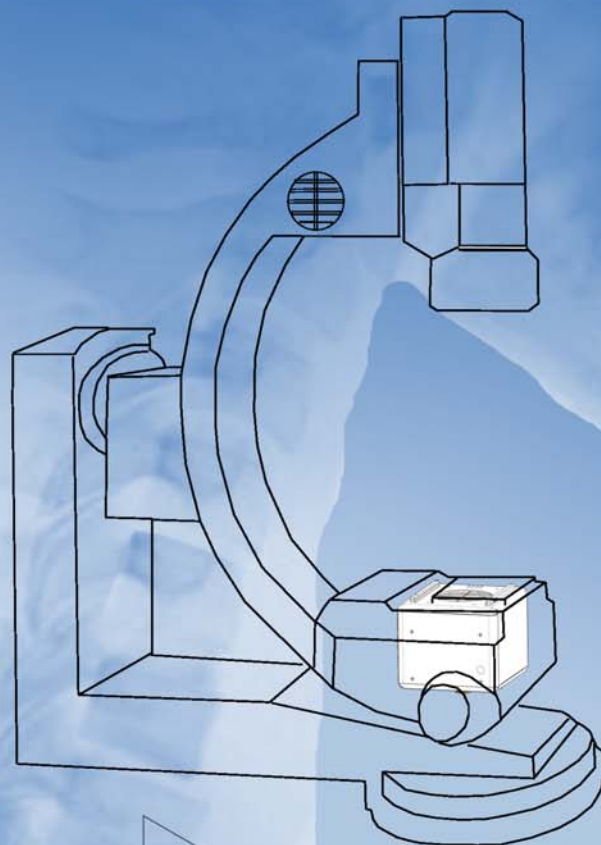
This model includes the following standard features:

- Maximum Radiation Leakage: 150 kVp - 4 mA
- Single Layer Square Field: 0x0 cm to 35x35 cm at 100 cm SID
- Multilayer Round Field: 10 cm to 49 cm at 100 cm SID
- Minimum Inherent Filtration: 0.3 mm Al equivalent
- Additional Variable Filtration (on request)
- No Light Source (White LED on request)
- Dimensions: 285x245x202 mm
- Weight: 14 Kg
- 12 Shutters
- CanBus Protocol
- Many Options for Personalization Available

R 806 D

TECHNICAL FEATURES

✓ Standard	● Optional	— Not Available	
Maximum Radiation Leakage	125 kVp - 4 mA	—	
	150 kVp - 4 mA	✓	
Field Type	Square Field	With Potentiometer	—
		Without Potentiometer	✓
	Round Field	✓	
Additional Variable Filtration	Manual	—	
	Motorized	●(RO 305)	
Light Source	Halogen Lamp	—	
	LED	●(RO 399)	
	No Light	✓	
SID Measurement	Electronic	—	
	Retractable Tape Measure	—	
Image Receptor Alignment	Centering Light	—	
	Single Laser	—	
	Double Laser	●(RO 242/2)	
Mounting of DAP Chamber	Internal	—	
	External	—	
Flange	Plastic	Free Rotation	✓
		50°	—
		90°	—
		120°	—
	Metal	Fixed	—
		Rotating (90° stop)	—
Minimum Inherent Filtration	0.3 mm Al equivalent	✓	
	1 mm Al equivalent	●(RO 082)	
	2 mm Al equivalent	●(RO 399)	
Patient Monitoring Camera	Yes	—	
	No	✓	
cCSAUs and DHHS Certification	Yes	●	
	No	✓	
Alignment to Focus	Manual Alignment with Metal Flange	—	
	Automatic Centering with Metal Flange	—	
	Automatic Centering with Plastic Flange	✓	
	Siemens Attachment	—	
Proximity Sensor	Yes	●(RO 329)	
	No	✓	
User Interface	CAN-Bus Interface	✓	
	CAN-Open Interface	—	
	Analog/Digital I/O Interface	—	



Head Office
 via Dei Tigli 13G
 20853 BIASSONO (MB)
 ITALY
 Tel. 0039 039 24 979 25
 FAX 0039 039 24 977 99
 Email: ralco@ralco.it
 www.ralco.it
 Skype: ralco_s.r.l.

American Office
 4970 Robert J. Mathews Pkwy #180
 El Dorado Hills, CA 95762
 USA
 Tel. 001.916.990.5172
 Email: info@ralcousa.com
 www.ralcousa.com
 Skype: ralcousa

CUSTOM MODELS ON REQUEST