

Ralco

X-RAY COLLIMATORS



Value, Quality and Experience



R 230 ACS

Single layer, square field with 4 independent shutters, automatic collimation system intended for installation on stationary X-ray equipment.

This device has been designed and manufactured for skeletal, gastrointestinal, urographic and thoracic investigations.

This model includes the following standard features:

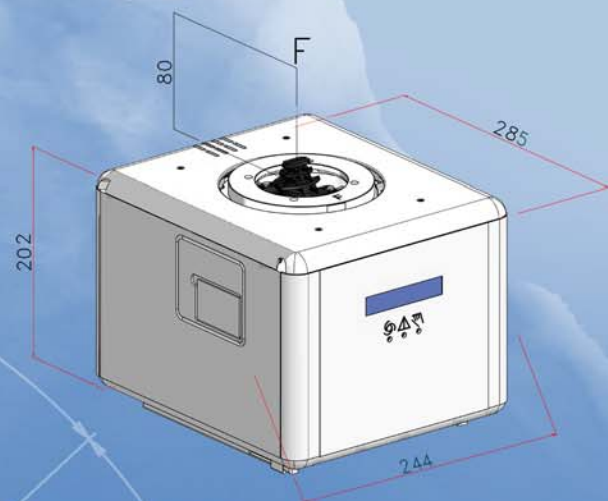
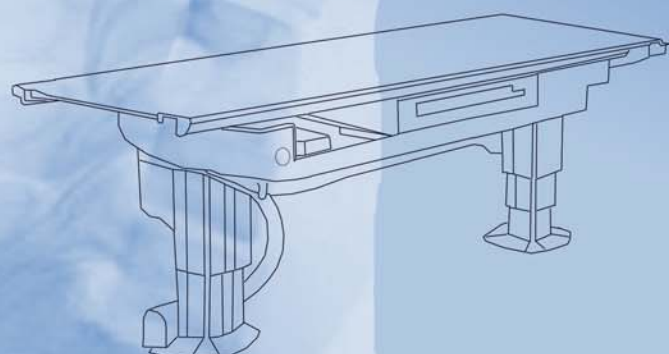
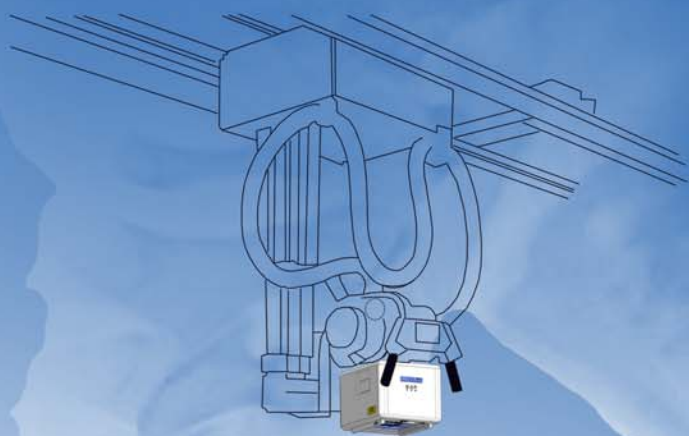
- Maximum Radiation Leakage: 150 kVp - 4 mA
- Single layer Square Field: 0x0 cm to 48x48 cm at 100 cm SID*
- Single layer Square Field: 120x43 cm at 250 cm SID**
- Minimum Inherent Filtration: 2 mm Al equivalent
- Additional Variable Filtration (on request)
- White LED
- Dimensions: 285x244x202 mm
- Weight: 11 Kg
- CanBus Protocol
- Many Options for Personalization Available

* Standard mode, ** Stitching mode

R 230 ACS

TECHNICAL FEATURES

✓ Standard	● Optional	— Not Available	
Maximum Radiation Leakage	125 kVp - 4 mA	—	
	150 kVp - 4 mA	✓	
Field Type	Square Field	With Potentiometer	—
		Without Potentiometer	✓
	Round Field	—	
Additional Variable Filtration	Manual	—	
	Motorized	●(RO 305, 305/1)	
Light Source	Halogen Lamp	—	
	LED	✓	
	No Light	—	
SID Measurement	Electronic	●(RO 427)	
	Retractable Tape Measure	✓	
Image Receptor Alignment	Centering Light	—	
	Single Laser	✓	
	Double Laser	●(RO 242/2)	
Mounting of DAP Chamber	Internal	✓	
	External	●(RO 344)	
Flange	Plastic	Free Rotation	✓
		50°	●(RO 441)
		90°	●(RO 442)
	Metal	Fixed	—
		Rotating (90° stop)	●(RO 445)
		Motorized Rotation	●(RO 320)
Minimum Inherent Filtration	0.3 mm Al equivalent	—	
	1 mm Al equivalent	●(RO 082)	
	2 mm Al equivalent	✓	
Patient Monitoring Camera	Yes	●(RO 314)	
	No	✓	
cCSAUs and DHHS Certification	Yes	●	
	No	✓	
Alignment to Focus	Manual Alignment with Metal Flange	●(RO 393)	
	Automatic Centering with Metal Flange	●(RO 202)	
	Automatic Centering with Plastic Flange	✓	
	Siemens Attachment	●(RO 203)	
Proximity Sensor	Yes	●(RO 329)	
	No	✓	
User Interface	CAN-Bus Interface	✓	
	Infrared Remote Control Box	●(RO 484)	
	Analog/Digital I/O Interface	●(RO 308)	



Head Office
 via Dei Tigli 13G
 20953 BIASSONO (MB)
 ITALY
 Tel. 0039 039 24 979 25
 FAX 0039 039 24 977 99
 Email: ralco@ralco.it
www.ralco.it
 Skype: [ralco_s.r.l.](https://www.skype.com/name/ralco_s.r.l)

American Office
 4970 Robert J. Mathews Pkwy #180
 El Dorado Hills, CA 95762
 USA
 Tel. 001.916.990.5172
 Email: info@ralcousa.com
www.ralcousa.com
 Skype: [ralcousa](https://www.skype.com/name/ralcousa)

CUSTOM MODELS ON REQUEST