

Ralco

X-RAY COLLIMATORS



Value, Quality and Experience



Manual-Image Stitching on LONG Shutters (RO 452)

R 302/A

RO 452

Multilayer, square field, manual collimation system intended for installation on stationary X-ray equipment. This device has been designed and manufactured for skeletal and thoracic investigations.

This model includes the following standard features:

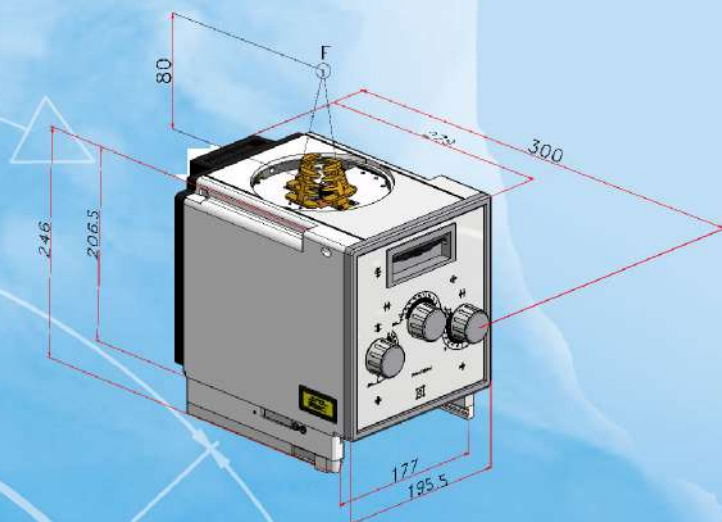
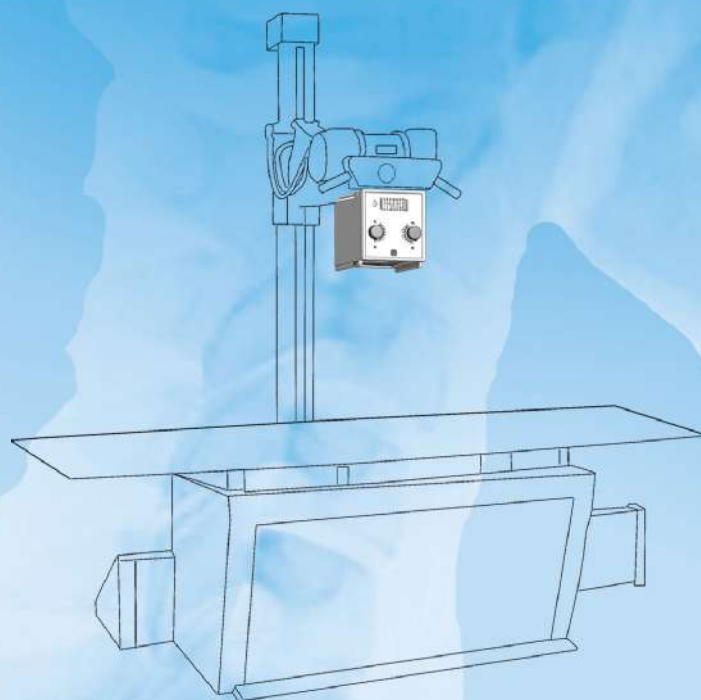
- Maximum Radiation Leakage: 150 kVp - 4 mA
- Multilayer Square Field: 0x0 cm to 48x48 cm at 100 cm SID
- Minimum Inherent Filtration: 2 mm Al equivalent
- White LED
- Dimensions: 279x195.5x206.5 mm
- Weight: 9.4 Kg
- 6 Pairs of Shutters
- Color Customizations and Many Other Personalization Options Available

R 302/A

TECHNICAL FEATURES

Application	Ceiling Suspension and Tube Stand X-Ray Equipment		
Mode of Operation	Manual		
Power Supply	24 V AC/DC - 2 A		
cCSAUs and DHHS Certification	◆		
Mounting Plane	Standard: 80 mm		
	Customized		×
Leakage Radiation	125 kVp - 4 mA		×
	150 kVp - 4 mA		✓
Field Type	Square Field	With Potentiometer	×
		Without Potentiometer	✓
	Round Field		×
Minimum Inherent Filtration	2 mm Al equivalent		✓
	1 mm Al equivalent		◆
	0.3 mm Al equivalent		◆
Additional Variable Filtration	Manual		◆
	Motorized		×
Light Source	LED		✓
	Halogen Lamp		◆
	No Light		×
SID Measurement	Electronic		×
	Retractable Tape Measure		◆
Image Receptor Alignment	Centering Light		◆
	Single Laser	Class I	◆
		Class II	◆
	Double Laser	Class I	◆
Class II		◆	
Flanges and Spacers	Iron mounting flange spacers: 1.5 mm thickness		◆
	Fixed	Metal	◆
		Resin	×
	Rotating	Metal	◆
Resin		✓	
Collimator Mounting Method	Manual Alignment with Metal Flange		◆
	Automatic Centering with Metal Flange		◆
	Automatic Centering with Resin Flange		◆
	Customized Attachment		◆
User Interface	CAN-Bus		×
	CAN-Open		×
Patient Monitoring Camera			×
Asymmetric Longitudinal Shutters			◆

✓ Standard ◆ Optional × Not Available



HEAD OFFICE

Via Dei Tigli 13G
20853 BIASSONO (MB)
ITALY
Tel. 0039 039 24 979 25
FAX 0039 039 24 977 99
Email: ralco@ralco.it
www.ralco.it
Skype: ralco_s.r.l.

AMERICAN OFFICE

4970 Robert J. Mathews Pkwy #180
El Dorado Hills, CA 95762
USA
Tel. 001 916 990 5172
Email: info@ralcousa.com
www.ralcousa.com
Skype: ralcousa

CUSTOM MODELS ON REQUEST

DR R 302/A Rev. A - ACD 012/21