

# Ralco

X-RAY COLLIMATORS



Value, Quality and Experience



## R 72 S

**Single layer, square field, manual collimation system with a lightweight and compact design intended for installation on portable X-ray equipment. This device has been designed and manufactured for skeletal and articular investigations of all body areas.**

**This model includes the following standard features:**

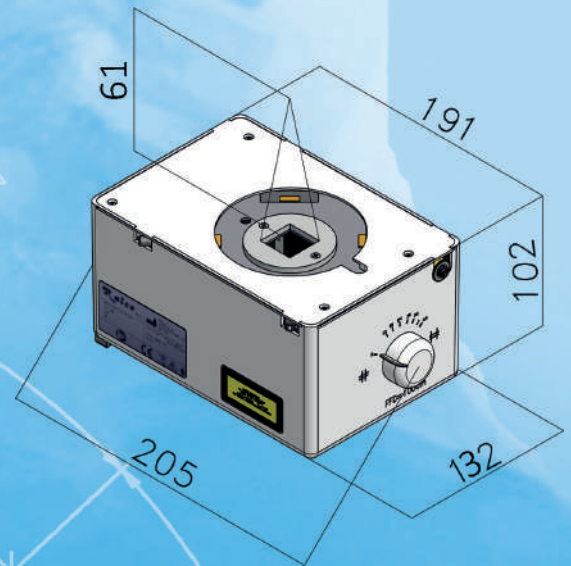
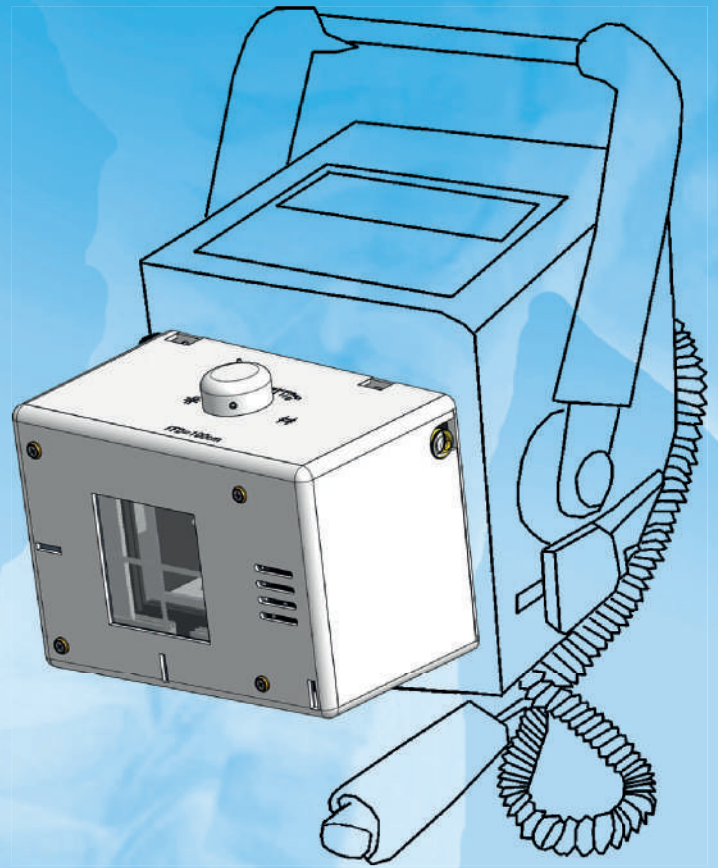
- Maximum Radiation Leakage: 125 kVp - 4 mA
- Single Layer Square Field: 0x0 cm to 43x43 cm at 100 cm SID
- Minimum Inherent Filtration: 2 mm Al equivalent
- Additional Variable Filtration (on request)
- White LED
- Dimensions: 191x132x102 mm
- Weight: 4 Kg
- 2 Pairs of Shutters
- Color Customizations and Many Other Personalization Options Available

# R 72 S

## TECHNICAL FEATURES

Application	Portable X-Ray Equipment		
Mode of Operation	Manual		
Power Supply	24 V AC/DC - 2 A		
cCSAUs and DHHS Certification	◆		
Mounting Plane	Standard: 61 mm		
	Customized	◆	
Leakage Radiation	125 kVp - 4 mA	✓	
	150 kVp - 4 mA	✗	
Field Type	Square Field	With Potentiometer	✗
		Without Potentiometer	✓
	Round Field		✗
Minimum Inherent Filtration	2 mm Al equivalent	✓	
	1 mm Al equivalent	◆	
	Customized	✗	
Additional Variable Filtration	Manual	◆	
	Motorized	✗	
Light Source	LED	✓	
	Halogen Lamp	✗	
	No Light	✗	
SID Measurement	Electronic	✗	
	Retractable Tape Measure	✓	
Image Receptor Alignment	Centering Light		✗
	Single Laser	Class I	◆
		Class II	◆
	Double Laser	Class I	◆
Class II		◆	
Flanges and Spacers	Iron mounting flange spacers: 1.5 thickness		◆
	Fixed	Metal	◆
		Resin	✗
	Rotating	Metal	◆
Resin		✗	
Collimator Mounting Method	Manual Alignment with Metal Flange		✓
	Automatic Centering with Metal Flange		✗
	Automatic Centering with Resin Flange		✗
	Customized Attachment		✗
User Interface	CAN-Bus		✗
	CAN-Open		✗
Patient Monitoring Camera			✗
Proximity Sensor			✗

✓ Standard    ◆ Optional    ✗ Not Available



### HEAD OFFICE

Via Dei Tigli 13G  
20853 BIASSONO (MB)  
ITALY  
Tel. 0039 039 24 979 25  
FAX 0039 039 24 977 99  
Email: [ralco@ralco.it](mailto:ralco@ralco.it)  
[www.ralco.it](http://www.ralco.it)  
Skype: [ralco\\_s.r.l.](https://www.skype.com/name/ralco_s.r.l)

### AMERICAN OFFICE

4970 Robert J. Mathews Pkwy #180  
El Dorado Hills, CA 95762  
USA  
Tel. 001 916 990 5172  
Email: [info@ralcousa.com](mailto:info@ralcousa.com)  
[www.ralcousa.com](http://www.ralcousa.com)  
Skype: [ralcousa](https://www.skype.com/name/ralcousa)

**CUSTOM MODELS ON REQUEST**

DR R 72 S Rev. A - ACD/012/21