

Ralco

X-RAY COLLIMATORS



Value, Quality and Experience



Remote control of up to two collimators for light, laser, filtration and independent shutter control (RO 484)

R 221 ACS

RO 476 + RO 484

Single layer, square field with 4 independent shutters, automatic collimation system intended for installation on stationary X-ray equipment and stitching applications. This device has been designed and manufactured for skeletal, gastrointestinal, urographic and thoracic investigations.

This model includes the following standard features:

- Maximum Radiation Leakage: 150 kVp - 4 mA
- Single layer Square Field: 0x0 cm to 48x48 cm at 100 cm SID*
- Single layer Square Field: 120x43 cm at 250 cm SID**
- Minimum Inherent Filtration: 2 mm Al equivalent
- Additional Variable Filtration (on request)
- White LED
- Dimensions: 282x244x216 mm
- Weight: 11 Kg
- CanBus Protocol
- Color Customizations and Many Other Personalization Options Available

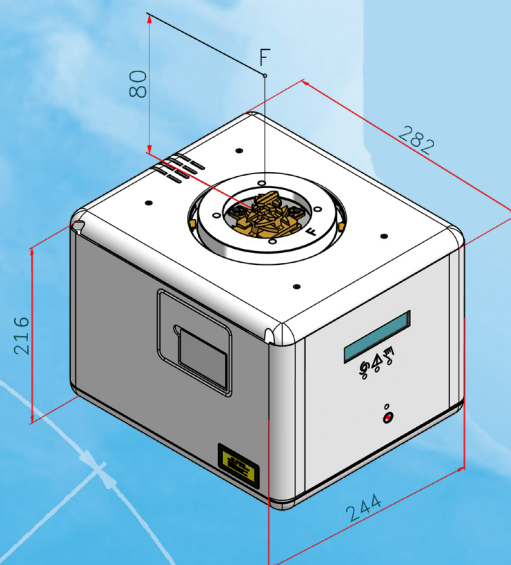
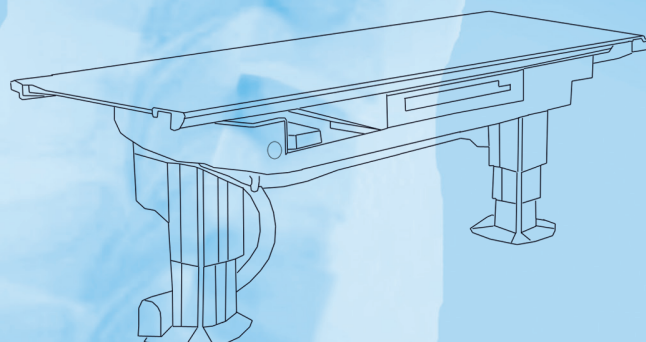
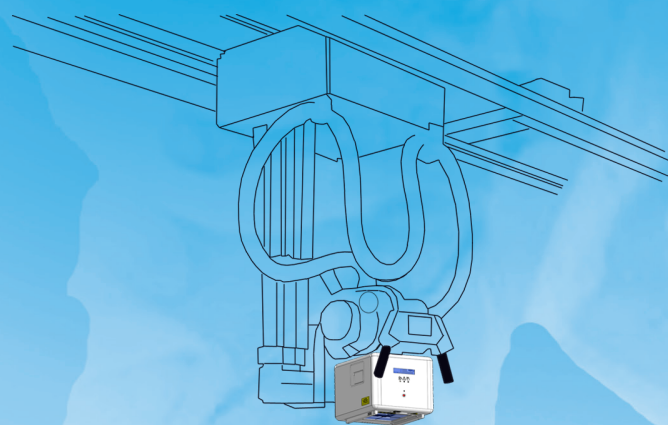
* Standard mode, ** Stitching mode

R 221 ACS

TECHNICAL FEATURES

Application	Mobile, Remote Control, Ceiling Suspension and Tube Stand X-Ray Equipment		
Mode of Operation	Automatic		
Power Supply	24 V AC/DC - 2 A		
cCSAUs and DHHS Certification	◆		
Mounting Plane	Standard: 80 mm		
	Customized	✗	
Leakage Radiation	125 kVp - 4 mA	✗	
	150 kVp - 4 mA	✓	
Field Type	Square Field	With Potentiometer	◆
		Without Potentiometer	✓
	Round Field		✗
Minimum Inherent Filtration	2 mm Al equivalent	✓	
	1 mm Al equivalent	◆	
	Customized	✗	
Additional Variable Filtration	Manual	✗	
	Motorized	◆	
Light Source	LED	✓	
	Halogen Lamp	✗	
	No Light	✗	
SID Measurement	Electronic	◆	
	Retractable Tape Measure	✓	
Image Receptor Alignment	Centering Light		✗
	Single Laser	Class I	◆
		Class II	✓
	Double Laser	Class I	◆
		Class II	◆
Flanges and Spacers	Iron mounting flange spacers: 1 mm thickness		◆
	Iron mounting flange spacers: 1.5 mm thickness		◆
	Fixed	Metal	◆
		Resin	✗
	Rotating	Metal	◆
Resin		✓	
Collimator Mounting Method	Manual Alignment with Metal Flange		◆
	Automatic Centering with Metal Flange		◆
	Automatic Centering with Resin Flange		◆
	Customized Attachment		◆
User Interface	CAN-Bus		✓
	CAN-Open		◆
Patient Monitoring Camera			◆
Proximity Sensor			◆
Increased Housing Dimensions: 244x282x216cm - R 225 ACS Housing			◆
Infrared Control Box to Command Collimator Functions			◆

✓ Standard ◆ Optional ✗ Not Available



HEAD OFFICE

Via Dei Tigli 13G
20853 BIASSONO (MB)
ITALY
Tel. 0039 039 24 979 25
FAX 0039 039 24 977 99
Email: ralco@ralco.it
www.ralco.it
Skype: [ralco_s.r.l.](https://www.skype.com/name/ralco_s.r.l)

AMERICAN OFFICE

4970 Robert J. Mathews Pkwy #180
El Dorado Hills, CA 95762
USA
Tel. 001 916 990 5172
Email: info@ralcouusa.com
www.ralcouusa.com
Skype: [ralcouusa](https://www.skype.com/name/ralcouusa)

CUSTOM MODELS ON REQUEST

DR R 221 ACS Rev. C - MRD/003/23